



**The machine generation of the future
more ergonomic - more flexible - simpler**

Horizontal Form, Fill and Seal Machine type neo X



Special features:

- Different packaging styles possible (side sealing, overlap sealing)
- Automatic adjustment of all essential machine functions according to product dimensions
- Touchscreen with easy operator guidance and product data memory
- Fine adjustment possible during machine operation
- Servo controlled with safety PLC -> referencing is not necessary after opening the safety hoods
- Improved service and maintenance friendliness
- Hinged film trim winder and switch cabinet

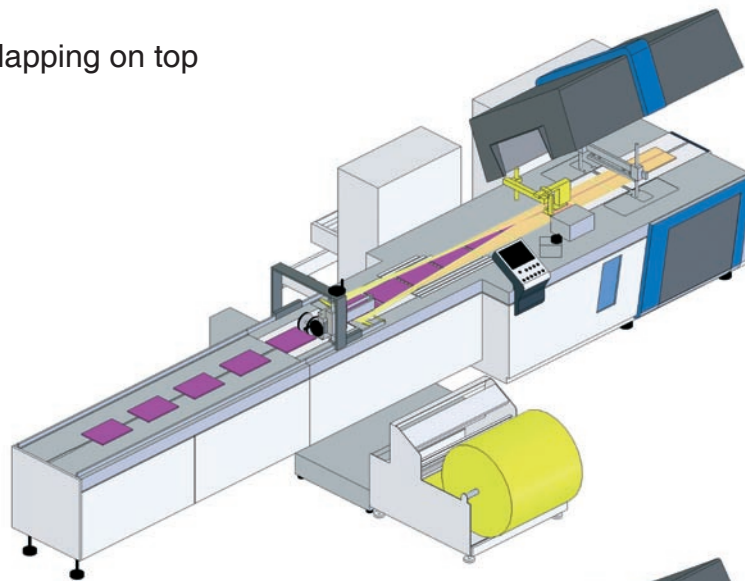
Innovative machine solutions for the packaging and finishing of tomorrow



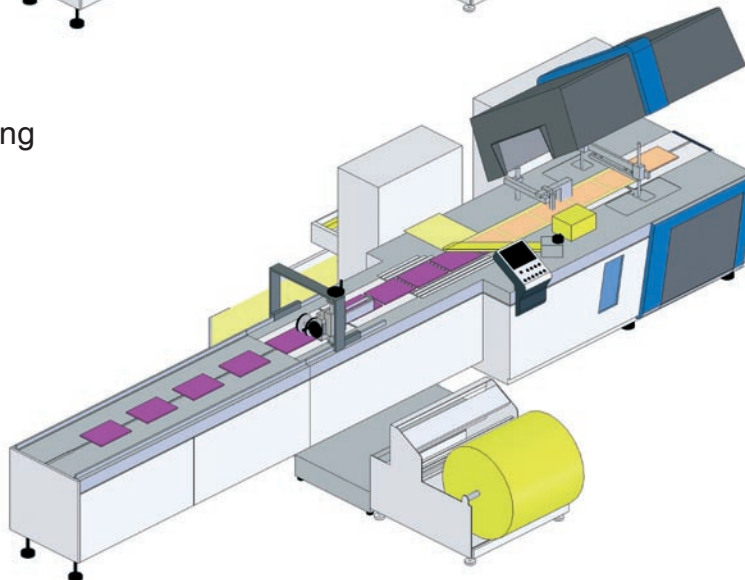
Horizontal Form, Fill and Seal Machine Version: neo X - advance

Layout variants of packaging styles „side sealing“
and „overlapping on top“ changeable

Set-up 1: Film overlapping on top



Set-up 2: side sealing



Technical Data:

Film:	PE, PO, PP
Product dimensions:	L: 80 - ∞ mm, W: 20 - 450 mm, H: 2 - 150 mm
Output:	up to 10.000 / 12.000 resp. 18.000 cycles/h
Control:	Siemens SIMOTION with safety functionality



The machine generation of the future
more ergonomic - more flexible - simpler

Horizontal Form, Fill and Seal Machine type servo X



Special features:

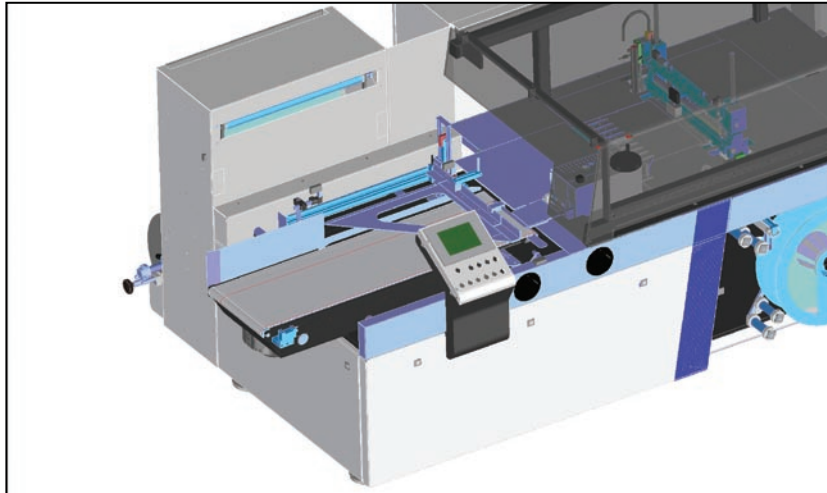
- Product infeeding with unequal gaps or various product lengths
- Packaging of single or stacked products
- Co-pilot function for easy set-up of the complete machine with product data memory
- Automatic height and length adjustment of the transverse sealing unit
- Servo drives for continuous operation
- Improved service and maintenance friendliness
- Hinged film trim winder and switch cabinet

Innovative machine solutions for the packaging and finishing of tomorrow

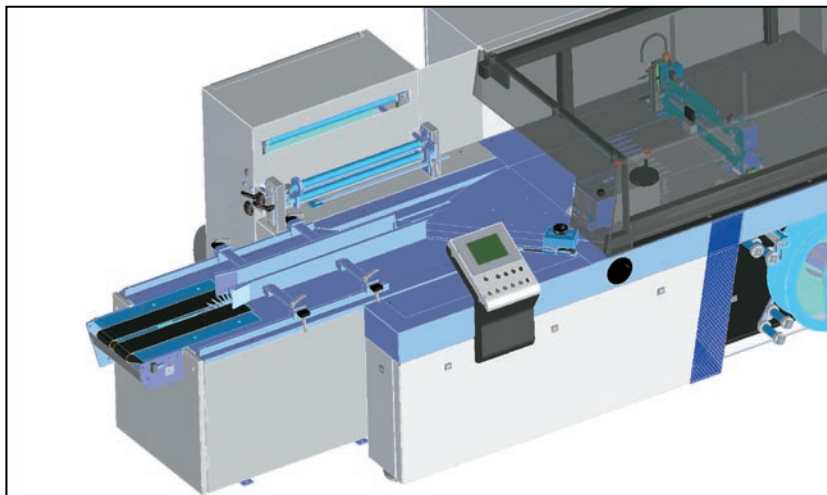


Horizontal Form, Fill and Seal Machine type servo X

Basic layout with belt infeed



Option 1: with chain infeed



Technical Data:

Product infeed:	manually / automatically inline with equal or unequal gaps
Film:	PE, PO, PP - centre folded or at film
Product dimensions:	L: 80 - ∞ mm, W: 25 - 450 mm, H: 2 - 200 mm
Operation:	continuous, no stop and go
Output:	up to 8.000 cycles/h
Control:	Siemens SIMOTION